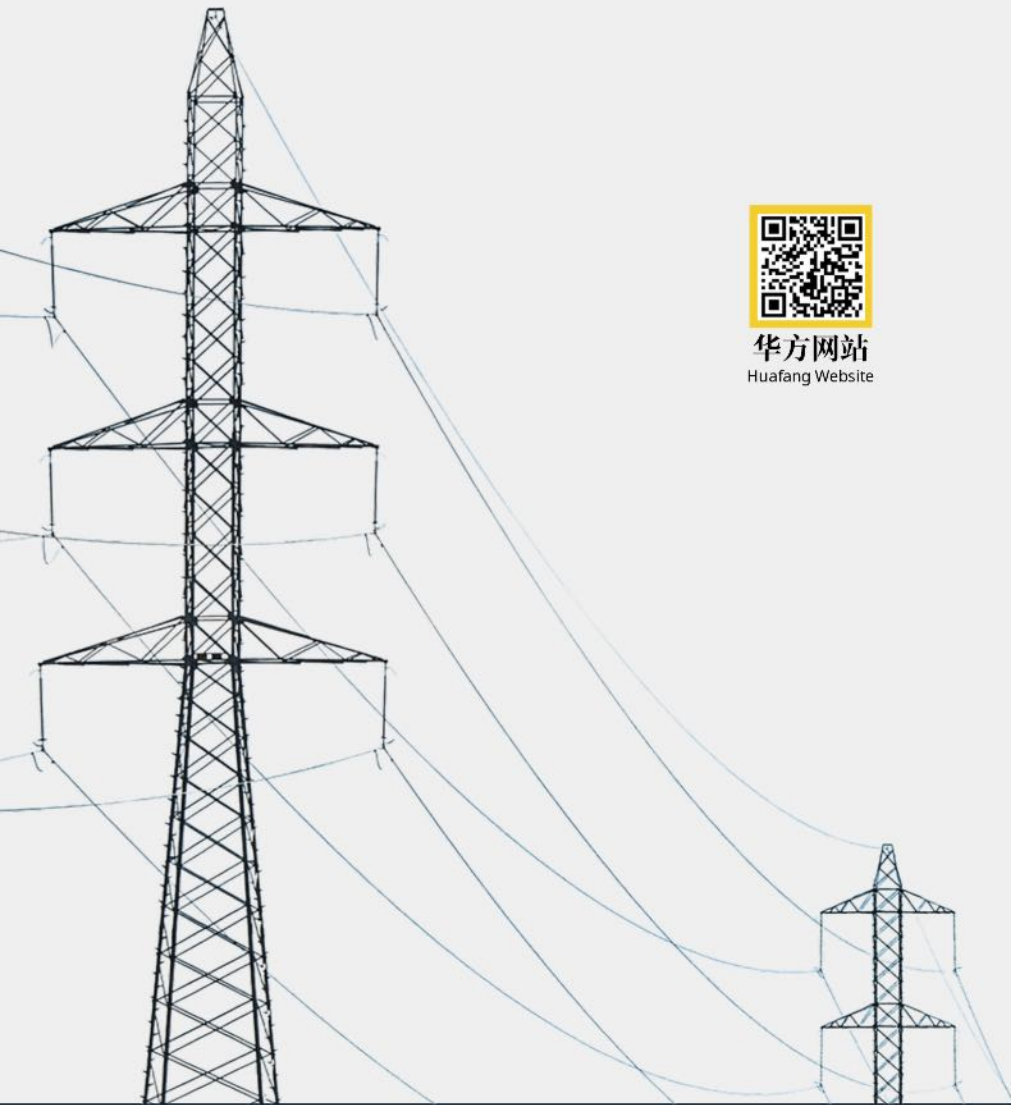


Safeguarding the Safety  
of electrical Connections



Our **connections**  
get reactions

防水连接器

产品手册

Waterproof  
Connector

Product manual

地址：浙江省温州市北白象镇华方路1号

联系电话：0577-62886616

邮编：325603

网站：www.hua-fang.com

邮箱：EasonGao@hua-fang.com

Add: No.1 Huafang Road, Beibaixiang  
Town, Wenzhou City, Zhejiang Province, China

Tel: (+86) 0577-62886616

P.C: 325603

Website: www.hua-fang.com

E-mail: EasonGao@hua-fang.com

The catalog is only for reference ,and the detail data must be based on  
our company's specification

## 公司图片 Company Aeroview

## 企业简介 Company Profile



浙江华方电气科技有限公司地处美丽富饶的东海之滨，交通极为便捷，是专业开发生产各类接线端子、高性能IP68连接器的生产厂家。

公司拥有先进的注塑加工中心、模具加工中心以及机加工中心，以经验丰富的技术开发人才、先进的生产工艺、严格完善的品质及控制管理体系，为客户提供一流产品。

公司通过ISO9001质量体系认证，始终根据国家相关安全标准组织设计和生产。多年来，我们一直坚持“信誉第一，真诚合作”的经营理念，与国内外多家企业建立了良好的合作关系。华方一直致力于本行业的进步与发展，所开发生产的产品深受广大客户的一致好评与关注。我们愿与广大用户携手共进，共创美好宏伟蓝图。

Zhejiang Huafang Electric Technology Co., Ltd. is located on the beautiful and rich coast of the East China Sea, with extremely convenient transportation. It is a professional manufacturer that develops and produces various types of wiring terminals and high-performance IP68 connectors.

The company has advanced injection molding processing centers, mold processing centers, and machining centers. With experienced technical development talents, advanced production processes, and strict and complete quality and control management systems, we provide customers with first-class products.

The company has passed ISO9001 quality system certification and always organizes design and production in accordance with relevant national safety standards. For many years, we have adhered to the business philosophy of "reputation first, sincere cooperation" and established good cooperative relationships with multiple domestic and foreign enterprises. Huafang has always been committed to the progress and development of this industry, and the products developed and produced have received unanimous praise and attention from our customers. We are willing to work together with the vast number of users to create a beautiful and grand blueprint.

## 生产能力 Production Capacity

公司拥有精益求精的质量管理体系和先进的模具制造、配色、注塑、点焊以及超声波焊接等配套加工设备，能够独立完成从产品设计、模具加工到批量生产的全部工作。公司拥有一流的全自动注塑生产线，注塑工艺高效、先进。

The company has an improving quality management system and advanced mold manufacturing, color matching, injection molding, spot welding, ultrasonic welding and other supporting processing equipment, which can independently complete all the work from product design, mold processing to batch production. The company has a first-class fully automatic injection molding production line, with efficient and advanced injection molding processes.



注塑车间Injection workshop



自动化Automation



装配产线Assembly Line



产品研发 R&D

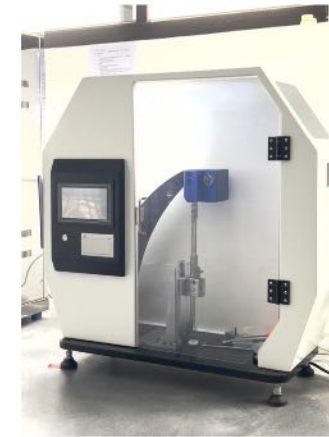
## 检测能力 Testing Capacity

配备的检测设备有：阻燃试验机、洛氏硬度机、盐雾试验箱、镀层检测仪、色谱分析仪、金属材料分析仪、IPX8防水等级试验箱、IP6X防尘等级试验箱、耐压测试仪、老化试验箱、简支梁冲击测试仪等设备，确保我们交付到客户手里的产品质量达标。

The testing equipment we are equipped with includes: a flammability tester, Rockwell hardness tester, salt spray test chamber, coating thickness gauge, chromatograph, metal material analyzer, IPX8 waterproof test chamber, IP6X dustproof test chamber, pressure tester, aging test chamber, Charpy impact tester, and other devices to ensure that the products we deliver to our customers meet quality standards.



灼热丝测试仪  
Glow wire tester



简支梁冲击测试仪  
Simple supported beam impact tester



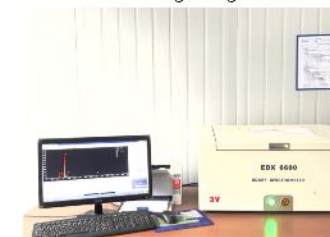
氙气老化试验箱  
Xenon aging test chamber



高低温试验箱  
High and low temperature test chamber



耐压测试仪  
Withstanding voltage tester



光谱测量仪  
Spectral measuring instrument



拉力测试仪  
Tensile tester



影像仪  
Imager

## 产品系列 Product Series

公司针对市场需求开发出了一系列连接性能优异的防水连接器，我们的连接器在设计之初就将可靠性与安全性刻入产品的基因。

The company has developed a series of waterproof connectors with excellent connection performance in response to market demand. Our connectors are designed with reliability and safety ingrained in the product's genes.

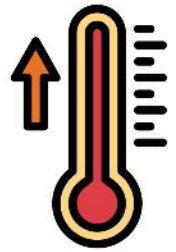


TüV ROHS REACH IP68 CE



高性能原材料  
High performance raw materials

105摄氏度



优异的耐温性  
Excellent temperature resistance

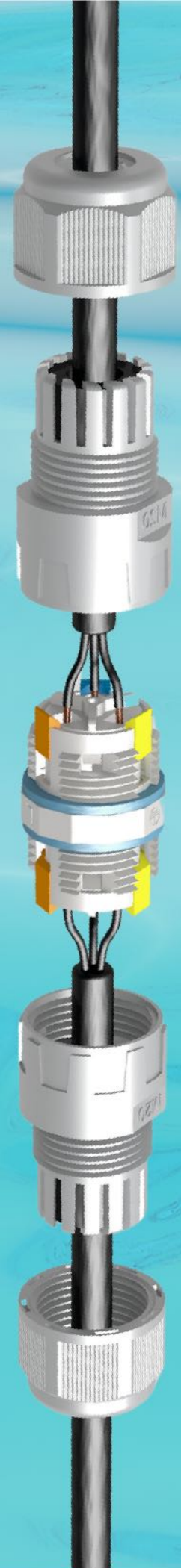
-40摄氏度

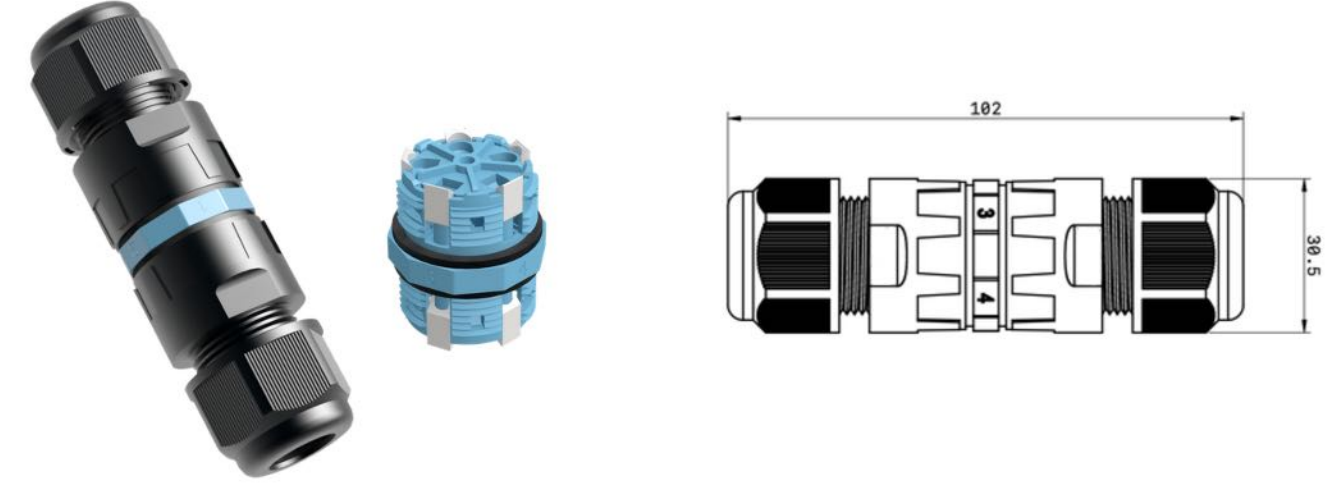
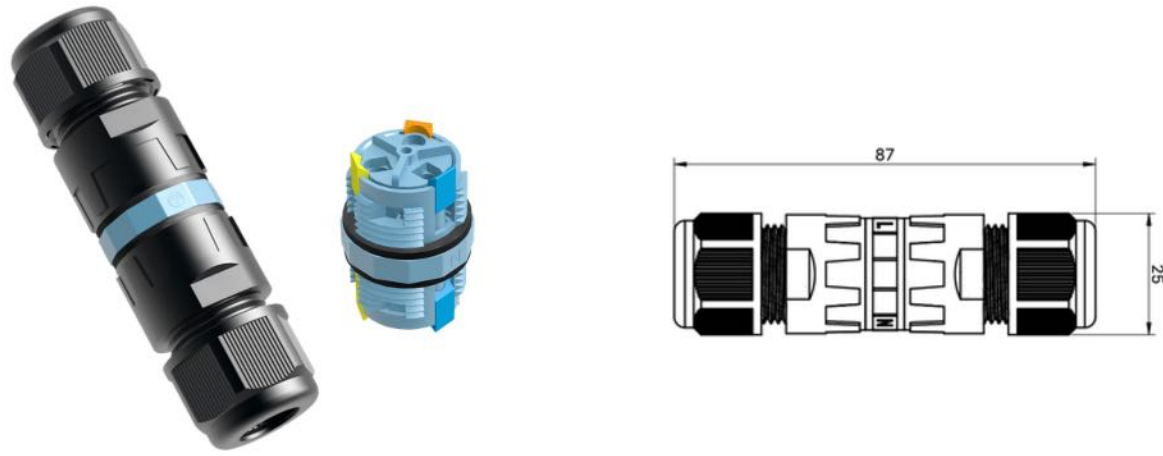


严格的产品试验  
Strict product testing



- 采用快速接线的连接结构，节约大量的时间成本
- 高性能的原材料，配合精益的生产工艺，即使在恶劣环境中产品性能依然十分可靠
- 产品的表面的特殊纹理，让我们的连接器使如此简单易用
- Using a fast wiring connection structure to save a lot of time and cost
- High performance raw materials, combined with lean production processes, ensure reliable product performance even in harsh environments
- The special texture on the surface of the product makes our connectors so simple and easy to use





产品参数 Specifications

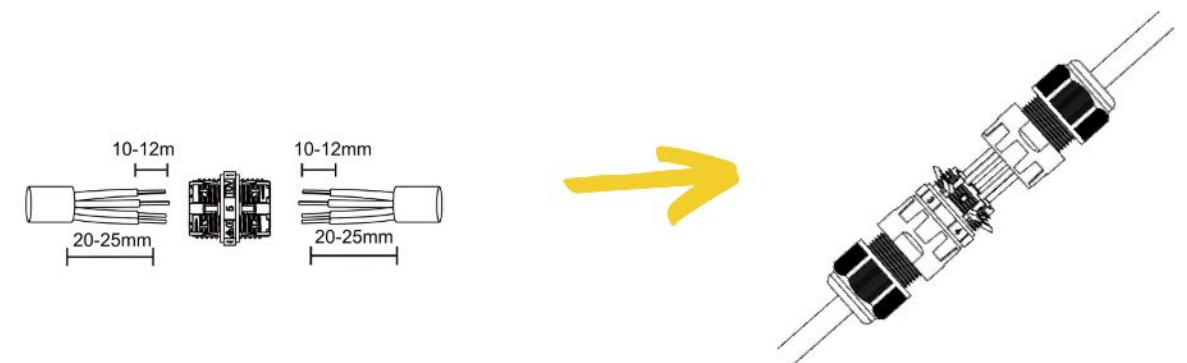
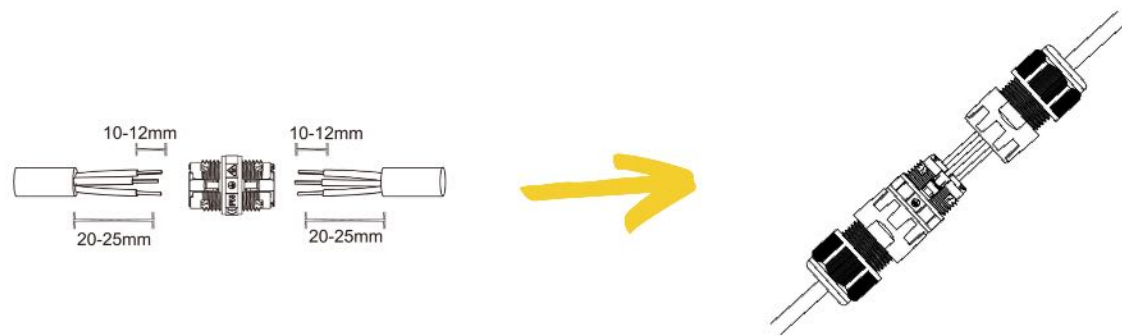
产品参数 Specifications

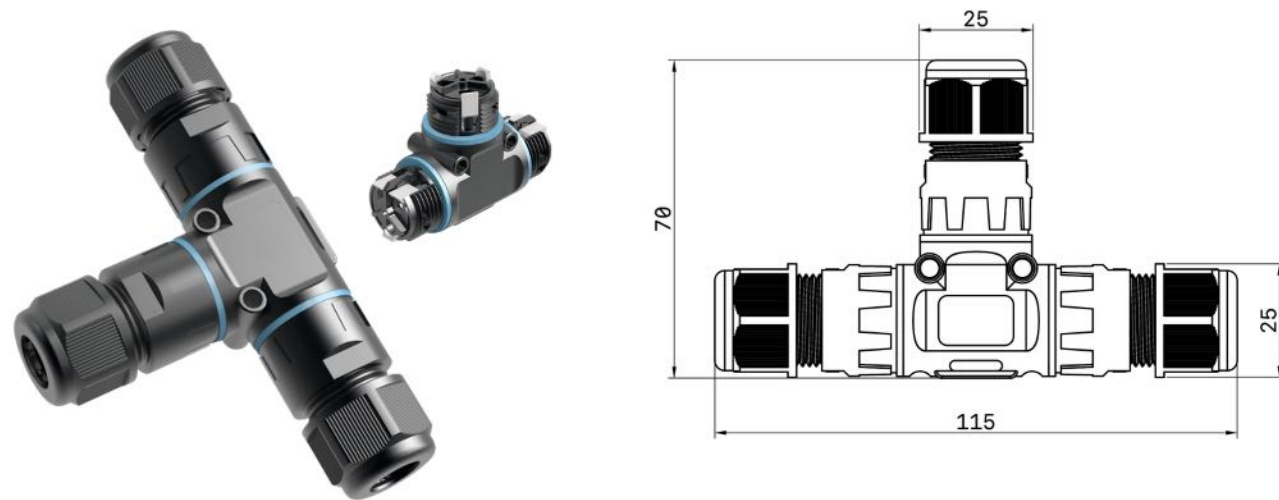
芯数 Number of Poles	2/3pin
额定电压 Rated Voltage	450V
额定电流 Rated Current	24A
接线范围 Wire Section	0.5-2.5mm <sup>2</sup>
外线直径 Outer Cable Diameter	5-9mm,9-12mm
环境温度 Temperature Range	-40°C~105°C
防水等级 IP Code	IP68
外壳材质 Housing Materials	尼龙 Nylon PA66/PA6
端子材质 Terminal Materials	铜合金 Copper Alloy

芯数 Number of Poles	4/5pin
额定电压 Rated Voltage	450V
额定电流 Rated Current	24A
接线范围 Wire Section	0.5-2.5mm <sup>2</sup>
外线直径 Outer Cable Diameter	5-9mm,9-12mm,10-14mm
环境温度 Temperature Range	-40°C~105°C
防水等级 IP Code	IP68
外壳材质 Housing Materials	尼龙 Nylon PA66/PA6
端子材质 Terminal Materials	铜合金 Copper Alloy

安装说明 Installation Instruction

安装说明 Installation Instruction

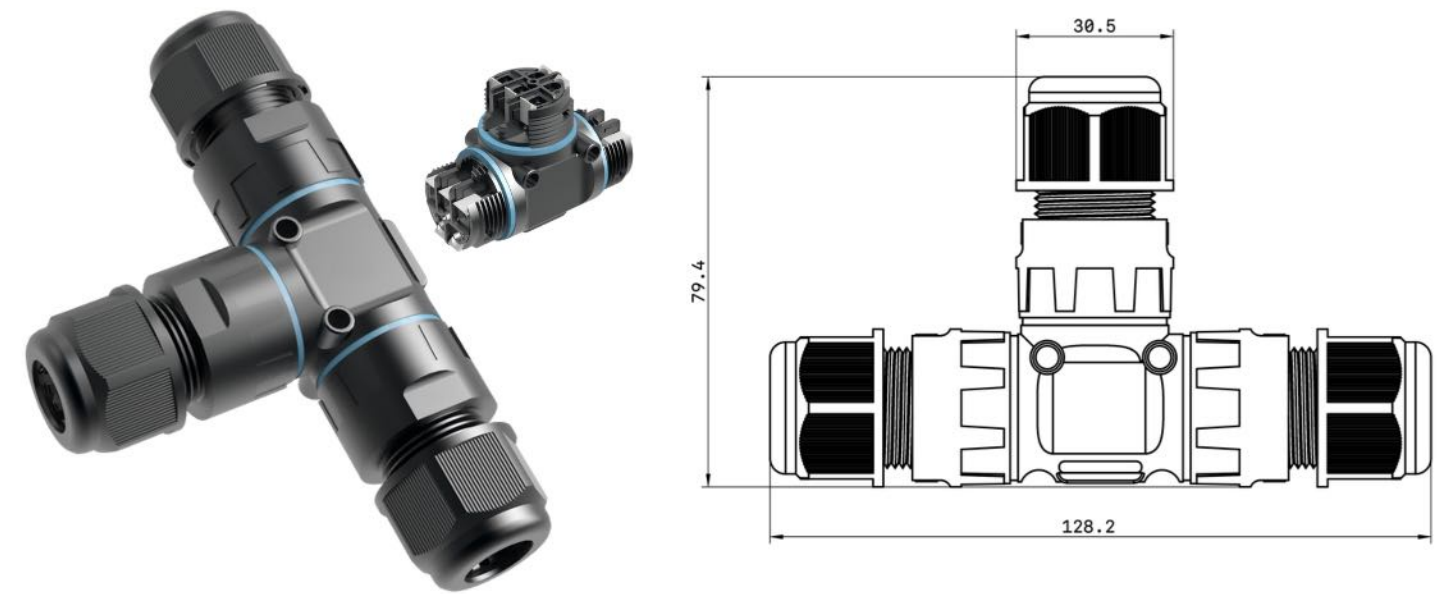
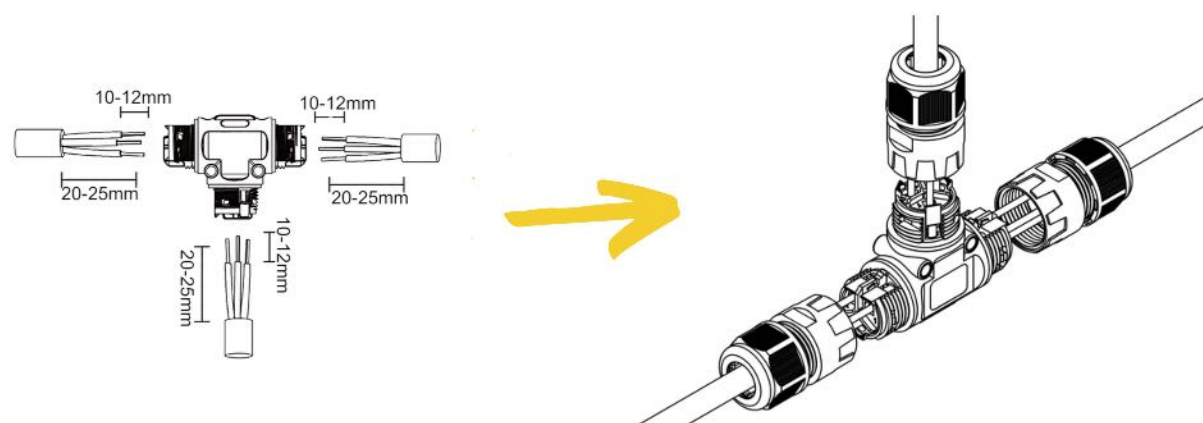




产品参数 Specifications

芯数 Number of Poles	2/3pin
额定电压 Rated Voltage	450V
额定电流 Rated Current	24A
接线范围 Wire Section	0.5-2.5mm <sup>2</sup>
外线直径 Outer Cable Diameter	5-9mm,9-12mm
环境温度 Temperature Range	-40°C~105°C
防水等级 IP Code	IP68
外壳材质 Housing Materials	尼龙 Nylon PA66/PA6
端子材质 Terminal Materials	铜合金 Copper Alloy

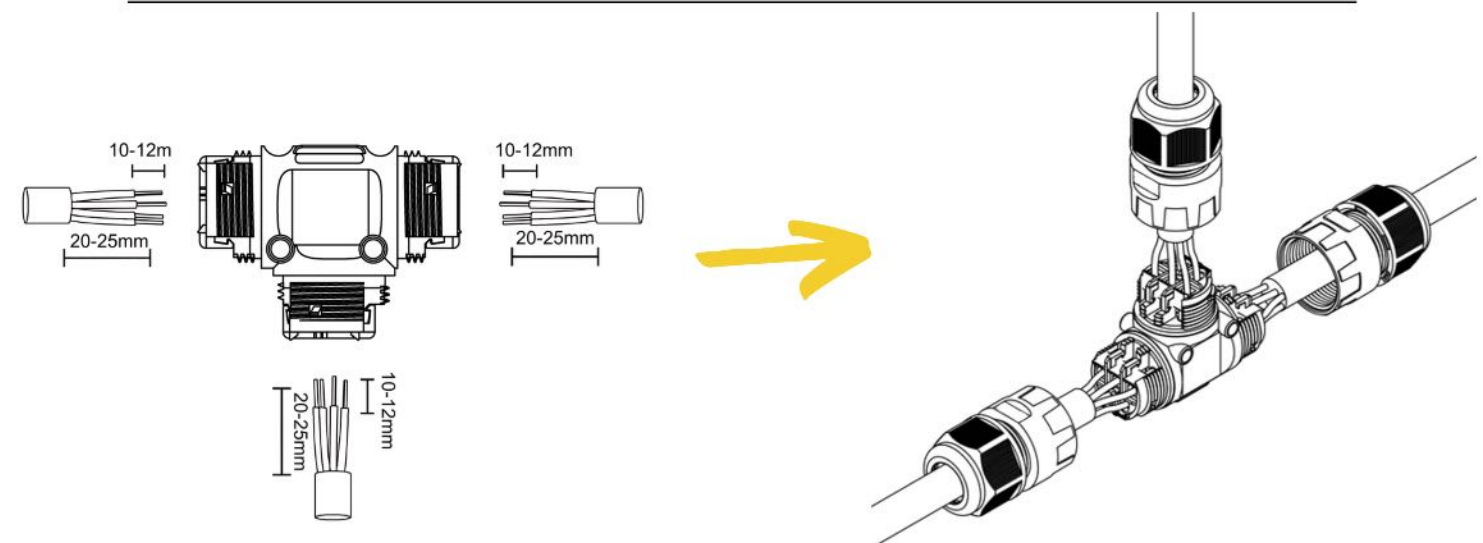
安装说明 Installation Instruction

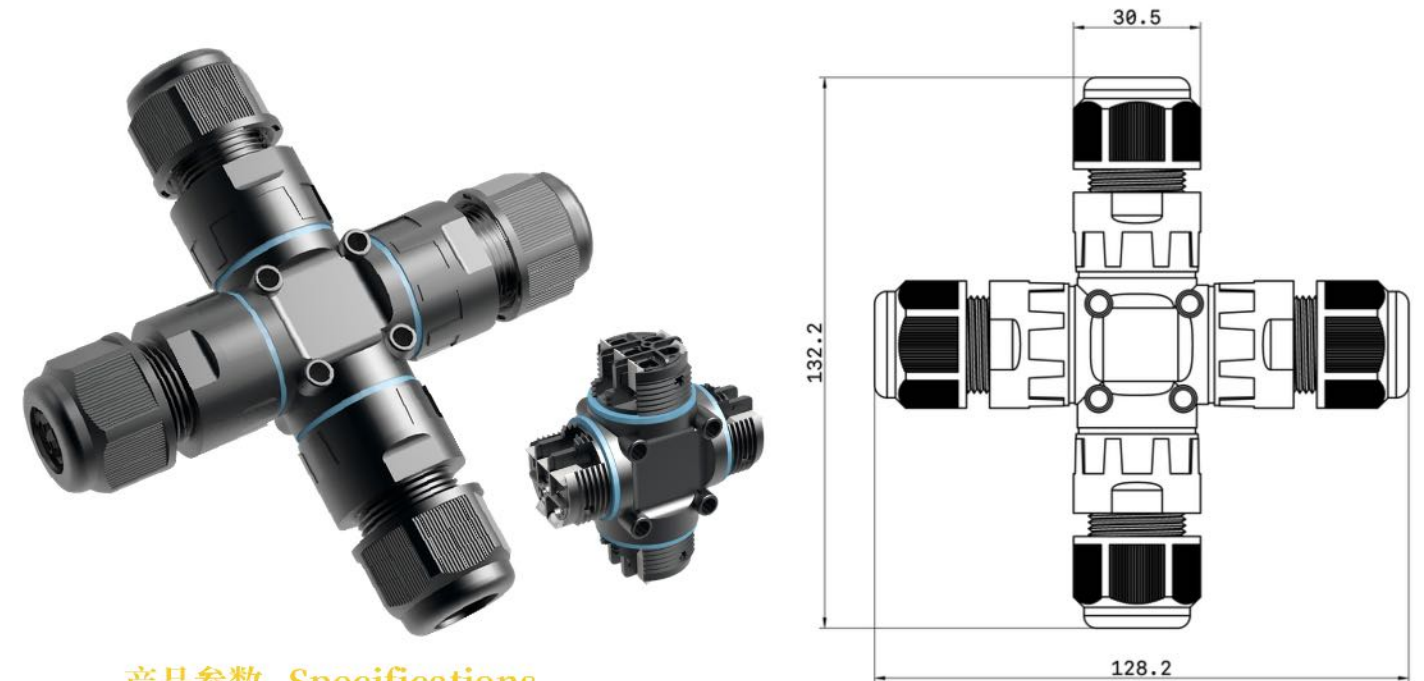
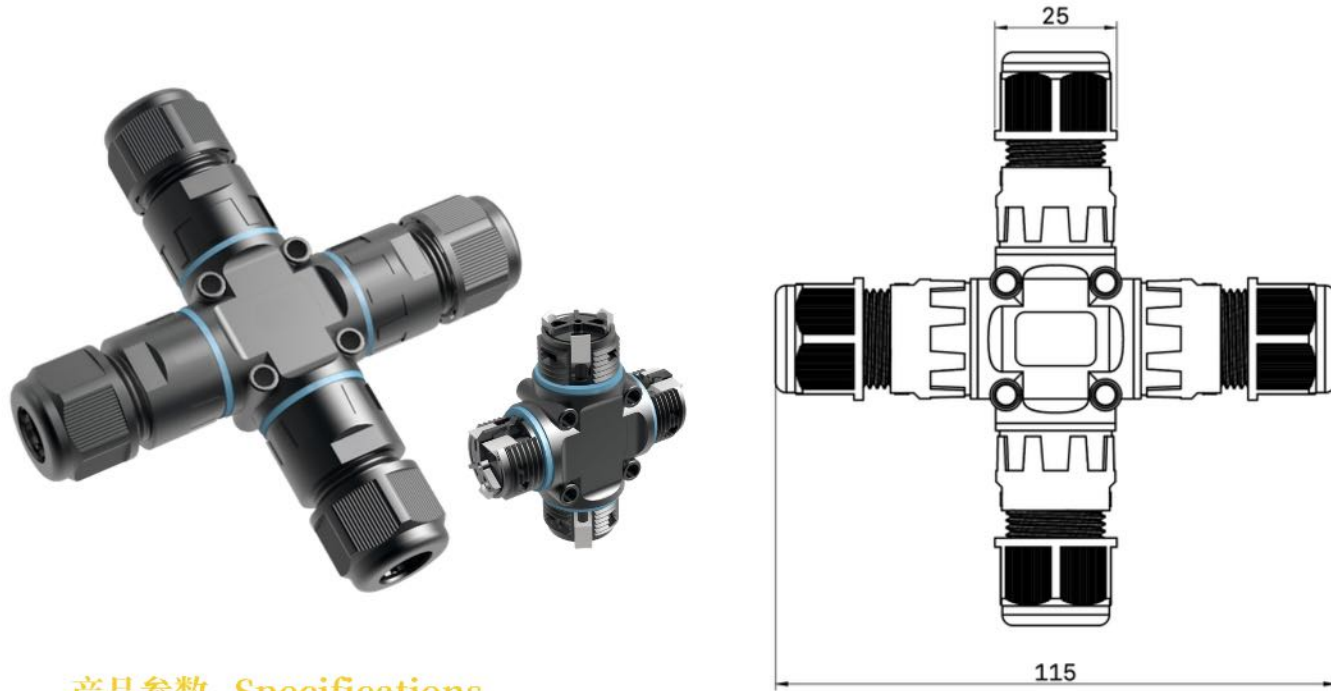


产品参数 Specifications

芯数 Number of Poles	4/5pin
额定电压 Rated Voltage	450V
额定电流 Rated Current	24A
接线范围 Wire Section	0.5-2.5mm <sup>2</sup>
外线直径 Outer Cable Diameter	5-9mm,9-12mm,10-14mm
环境温度 Temperature Range	-40°C~105°C
防水等级 IP Code	IP68
外壳材质 Housing Materials	尼龙 Nylon PA66/PA6
端子材质 Terminal Materials	铜合金 Copper Alloy

安装说明 Installation Instruction





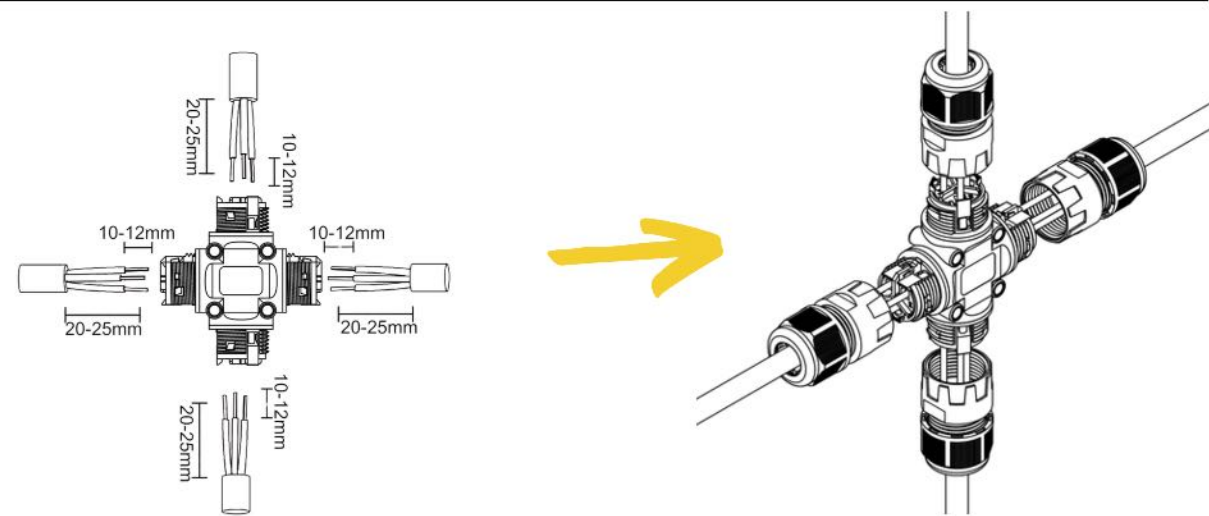
产品参数 Specifications

芯数 Number of Poles	2/3pin
额定电压 Rated Voltage	450V
额定电流 Rated Current	24A
接线范围 Wire Section	0.5-2.5mm <sup>2</sup>
外线直径 Outer Cable Diameter	5-9mm,9-12mm
环境温度 Temperature Range	-40°C~105°C
防水等级 IP Code	IP68
外壳材质 Housing Materials	尼龙 Nylon PA66/PA6
端子材质 Terminal Materials	铜合金 Copper Alloy

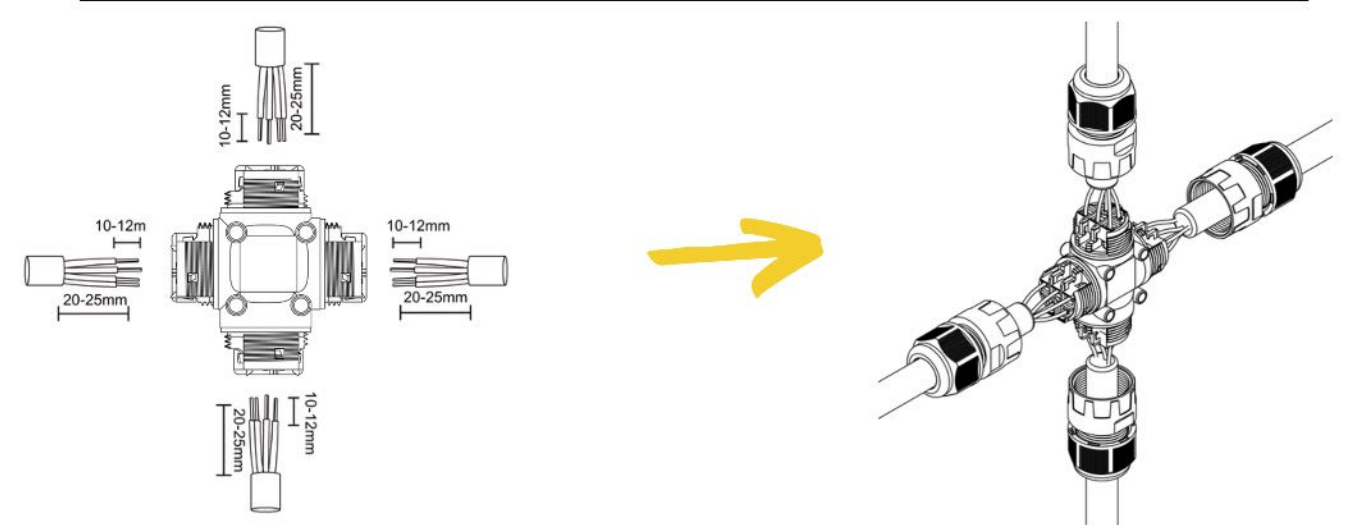
产品参数 Specifications

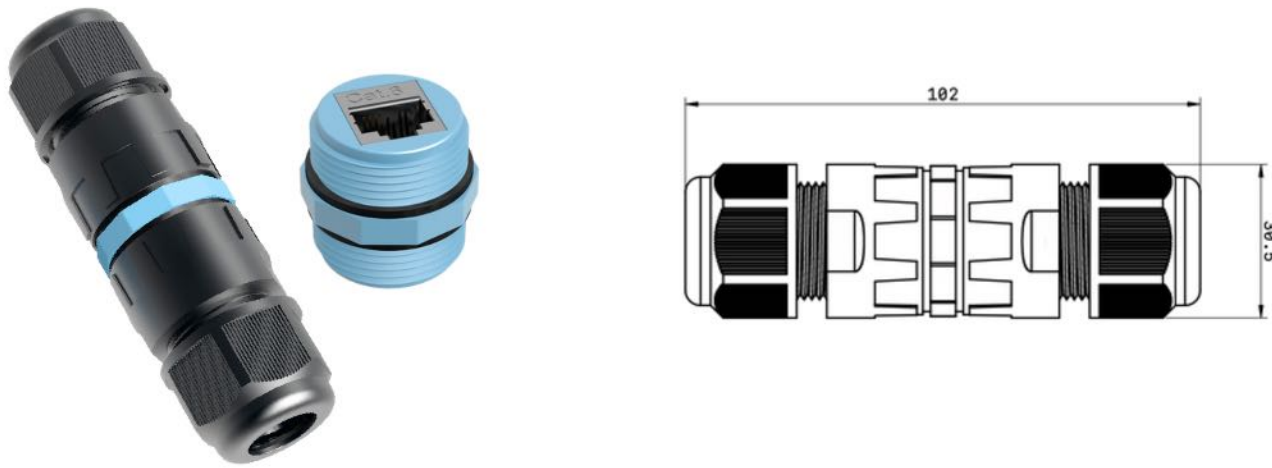
芯数 Number of Poles	4/5pin
额定电压 Rated Voltage	450V
额定电流 Rated Current	24A
接线范围 Wire Section	0.5-2.5mm <sup>2</sup>
外线直径 Outer Cable Diameter	5-9mm,9-12mm,10-14mm
环境温度 Temperature Range	-40°C~105°C
防水等级 IP Code	IP68
外壳材质 Housing Materials	尼龙 Nylon PA66/PA6
端子材质 Terminal Materials	铜合金 Copper Alloy

安装说明 Installation Instruction



安装说明 Installation Instruction

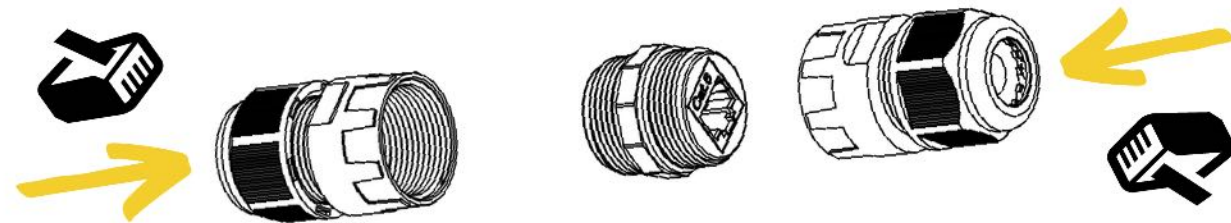




产品参数 Specifications

芯数 Number of Poles	水晶转接口 RJ45
额定电压 Rated Voltage	125V
额定电流 Rated Current	1.5A
接线范围 Wire Section	Cat.6
外线直径 Outer Cable Diameter	4-6.5mm
环境温度 Temperature Range	-40°C~105°C
防水等级 IP Code	IP68
外壳材质 Housing Materials	尼龙 Nylon PA66/PA6
端子材质 Terminal Materials	金镀金 Gold With Gold Plating

安装说明 Installation Instruction



# IP68 WATERPROOF CONNECTOR

24A  
450V~  
Each Pin 0.5-2.5mm<sup>2</sup>



Our waterproof connection system is suitable for:

- + Outdoor wiring connection
- + Outdoor lighting and architectural lighting
- + Agriculture
- + Ships
- + Infrastructure construction

我们的IP68防水连接系统适合:

- 户外接线领域
- 户外照明和建筑照明系统
- 农业系统
- 船舶
- 基础设施建设领域

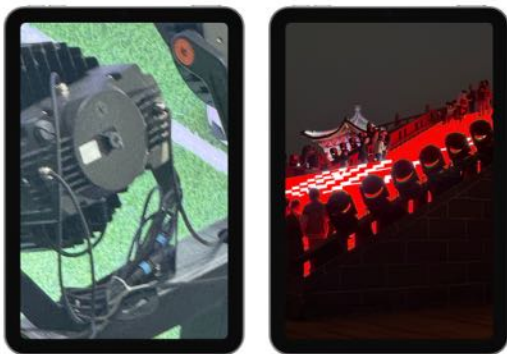
# ♥ PEOPLE LOVES OUR PRODUCT

Professional users  
专业用户

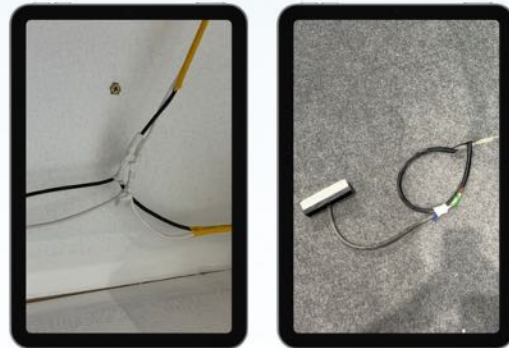


People like to use our T and X-type connectors for series and parallel combinations, paired with our male female plug in series (MF) Connect the circuit and light group

人们喜欢使用我们的T和X型连接器进行串并联组合，搭配使用我们的公母对插系列 (MF Series) 让线路和灯组得以连接



Consumer  
消费者



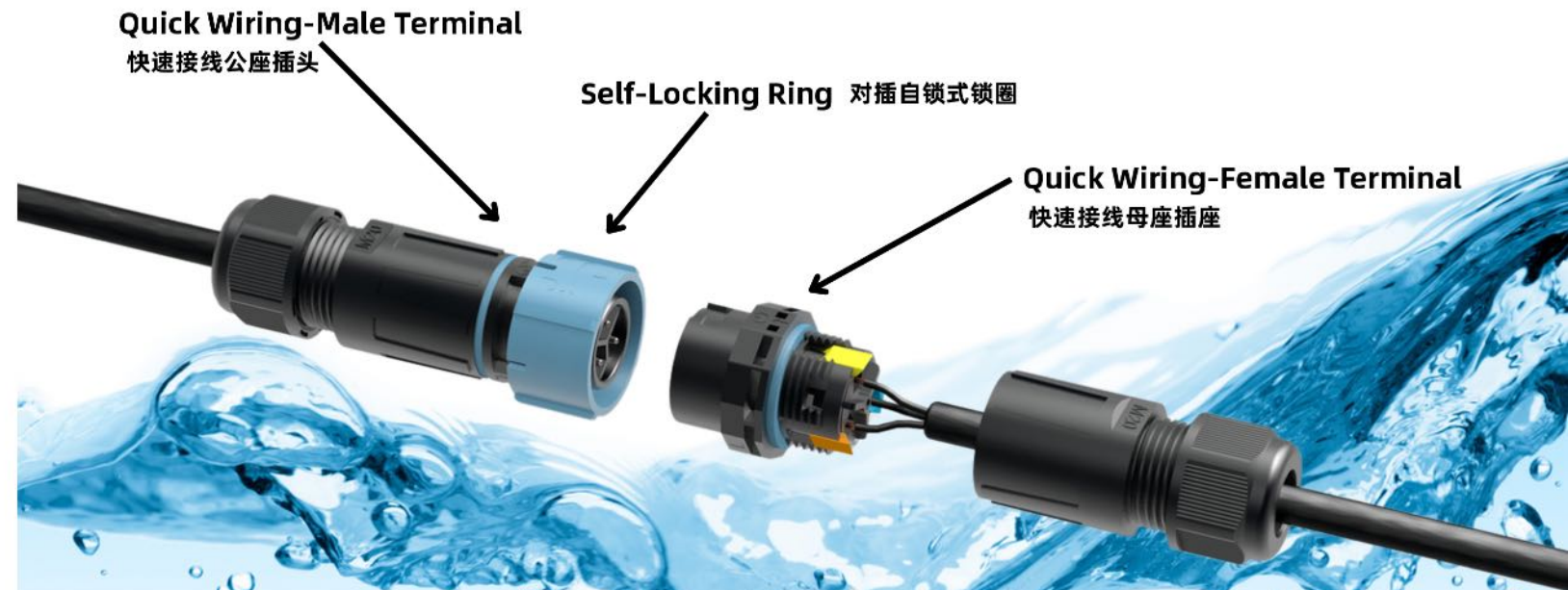
Replacing the electrical tape used for some of the branch lines in the home or outside the garden with our connectors not only improves the electrical connection performance, but also makes it safer!

将家庭壁柜中或者花园里部分线路的分线连接还在使用的电工胶布替换成我们的超高性能IP68防水连接器，不仅电气连接性能更加，而且更加安全！

## IP68 Male & Female Plug in Connector



Hua Fang Electric-Professional manufacturer  
浙江华方电气-专业的防水连接器制造商



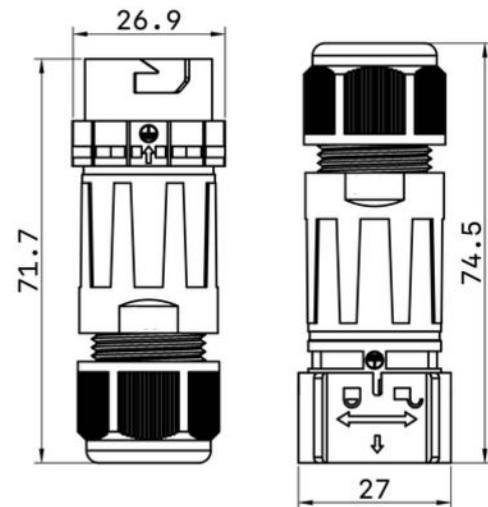
High-performance  
All New Plastic  
高性能全新塑料粒子

Silver Plating  
铜镀银结构

High-quality Copper  
Material  
高性能导电铜材质



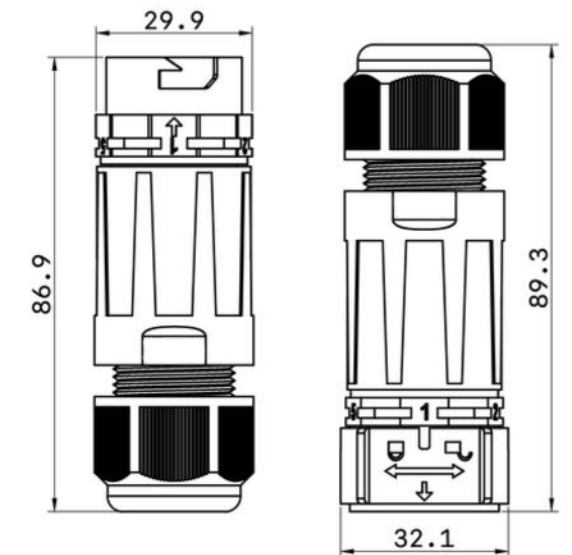
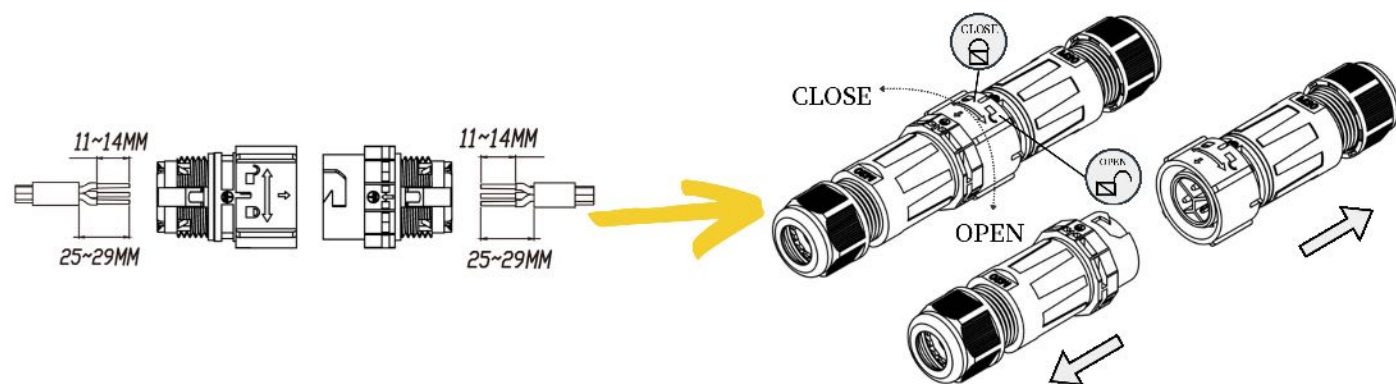
Fast Connection  
Saves 50% of time  
华方快速接线系统



产品参数 Specifications

芯数 Number of Poles	2/3pin
额定电压 Rated Voltage	450V
额定电流 Rated Current	24A
接线范围 Wire Section	0.5-2.5mm <sup>2</sup>
外线直径 Outer Cable Diameter	5-9mm,9-12mm
可插拔次数 Mating Cycle	1500 Mating Cycles
环境温度 Temperature Range	-40°C~105°C
防水等级 IP Code	IP68
外壳材质 Housing Materials	尼龙 Nylon PA66/PA6
端子材质 Terminal Materials	铜合金 Copper Alloy

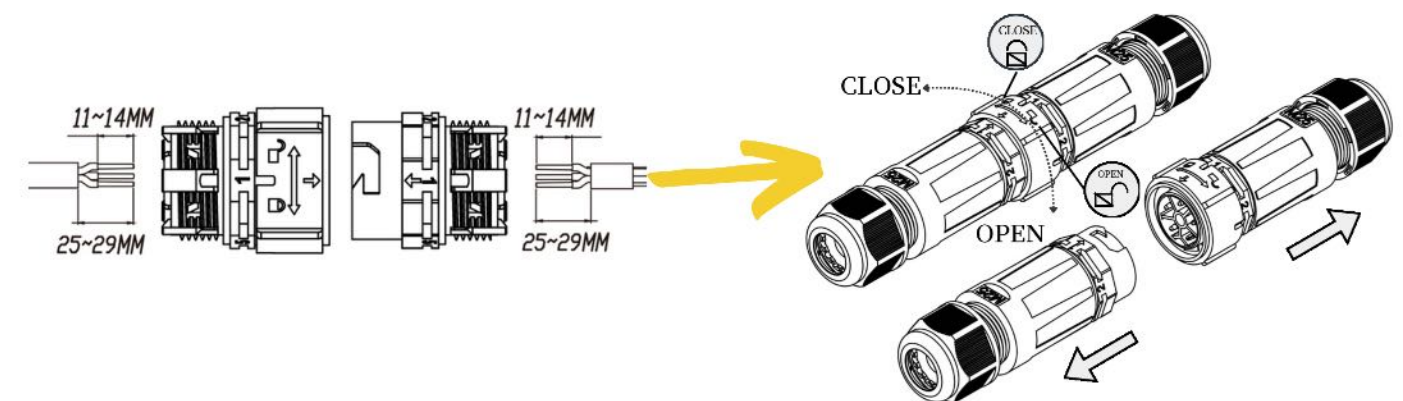
安装说明 Installation Instruction

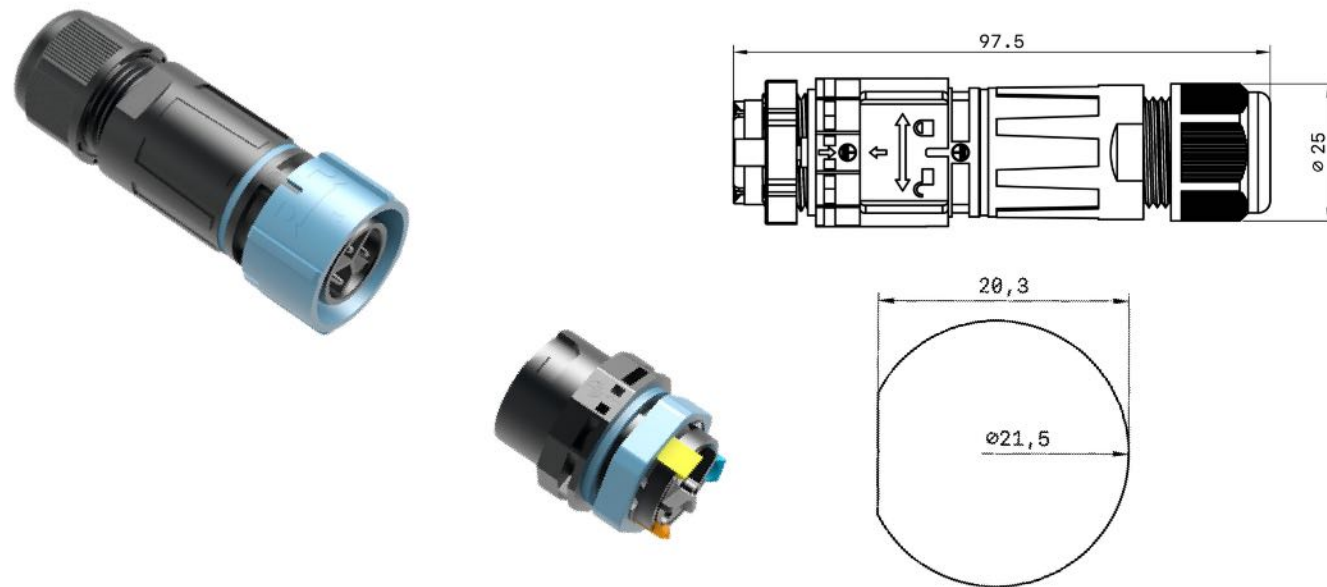


产品参数 Specifications

芯数 Number of Poles	4/5pin
额定电压 Rated Voltage	450V
额定电流 Rated Current	24A
接线范围 Wire Section	0.5-2.5mm <sup>2</sup>
外线直径 Outer Cable Diameter	5-9mm,9-12mm,10-14mm
可插拔次数 Mating Cycle	1500 Mating Cycles
环境温度 Temperature Range	-40°C~105°C
防水等级 IP Code	IP68
外壳材质 Housing Materials	尼龙 Nylon PA66/PA6
端子材质 Terminal Materials	铜合金 Copper Alloy

安装说明 Installation Instruction

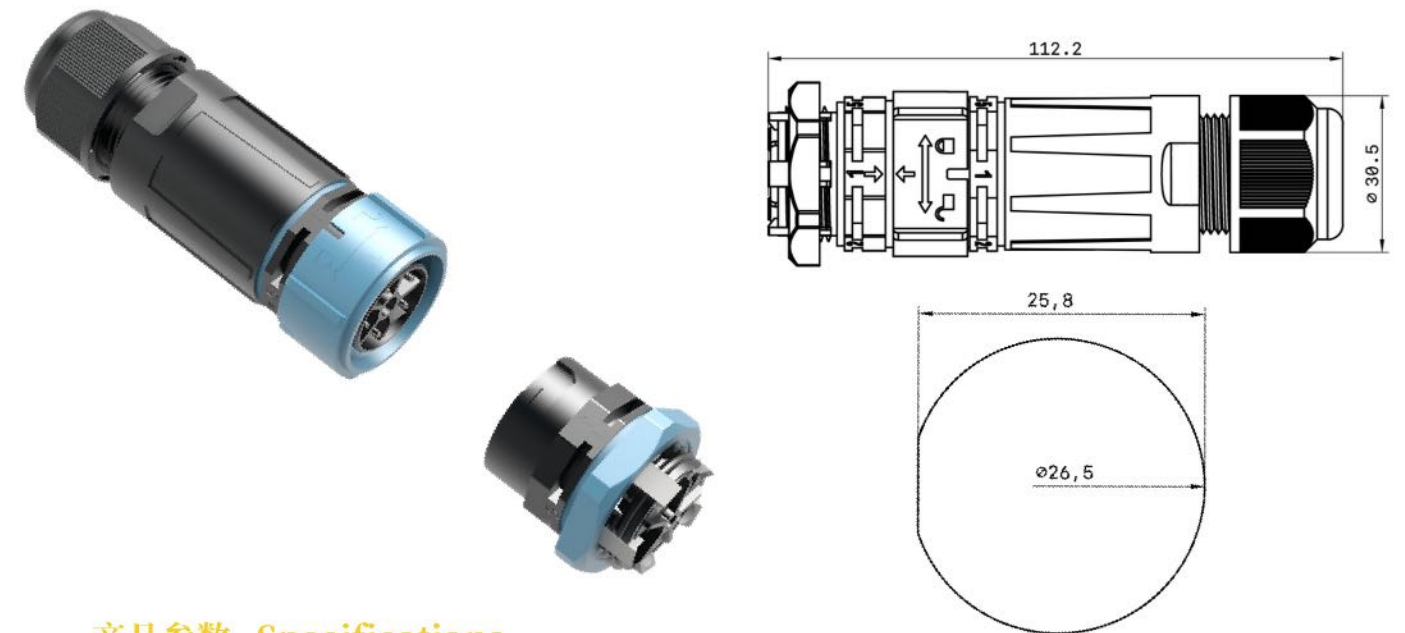
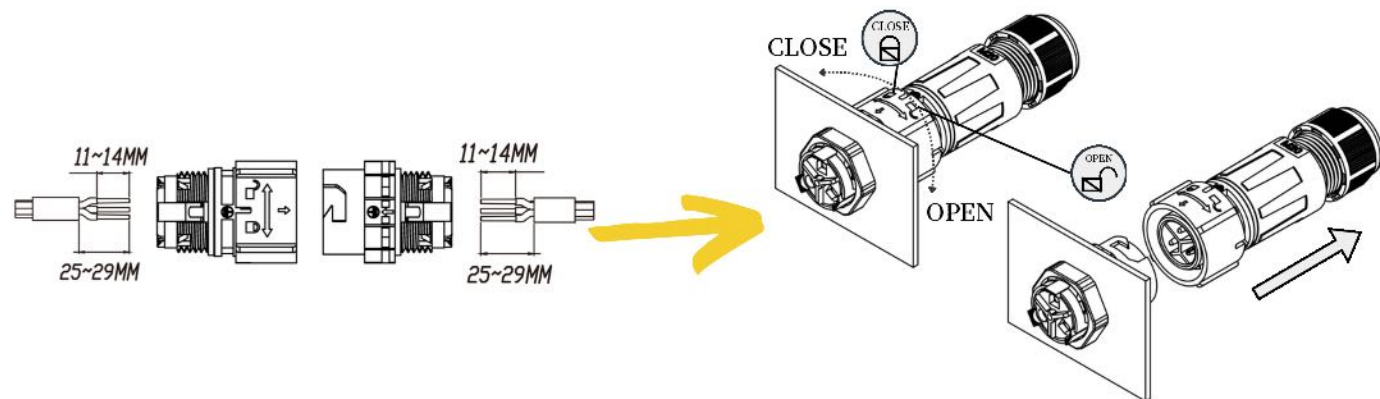




产品参数 Specifications

芯数 Number of Poles	2/3pin
额定电压 Rated Voltage	450V
额定电流 Rated Current	24A
接线范围 Wire Section	0.5-2.5mm <sup>2</sup>
外线直径 Outer Cable Diameter	5-9mm,9-12mm
可插拔次数 Mating Cycle	1500 Mating Cycles
环境温度 Temperature Range	-40°C~105°C
防水等级 IP Code	IP68
外壳材质 Housing Materials	尼龙 Nylon PA66/PA6
端子材质 Terminal Materials	铜合金 Copper Alloy

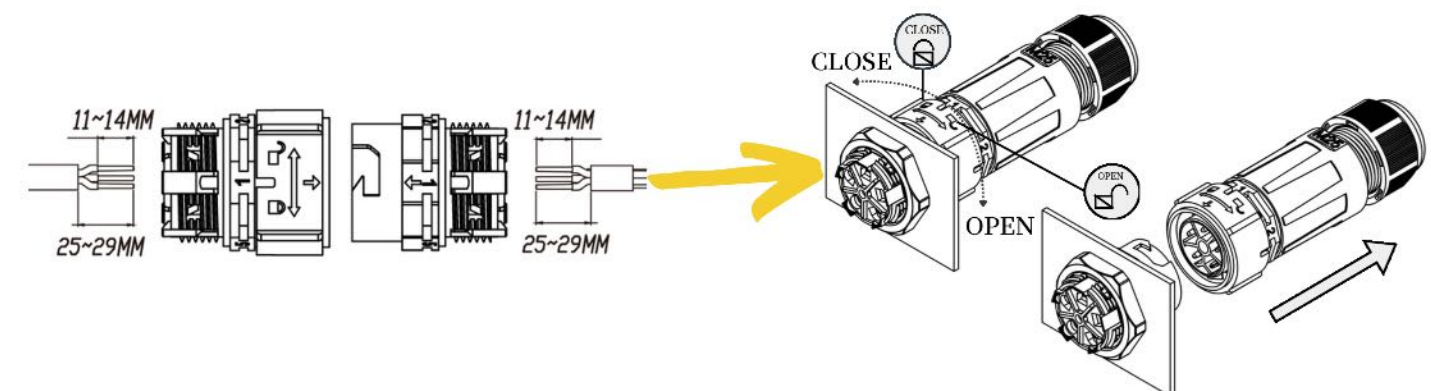
安装说明 Installation Instruction



产品参数 Specifications

芯数 Number of Poles	4/5pin
额定电压 Rated Voltage	450V
额定电流 Rated Current	24A
接线范围 Wire Section	0.5-2.5mm <sup>2</sup>
外线直径 Outer Cable Diameter	5-9mm,9-12mm,10-14mm
可插拔次数 Mating Cycle	1500 Mating Cycles
环境温度 Temperature Range	-40°C~105°C
防水等级 IP Code	IP68
外壳材质 Housing Materials	尼龙 Nylon PA66/PA6
端子材质 Terminal Materials	铜合金 Copper Alloy

安装说明 Installation Instruction



# Our 5-Pin Multi-Pass Solution

Do you want the project to be delivered quickly?

Imagine, it's like a junction box already connected!  
But much more smaller and compact!



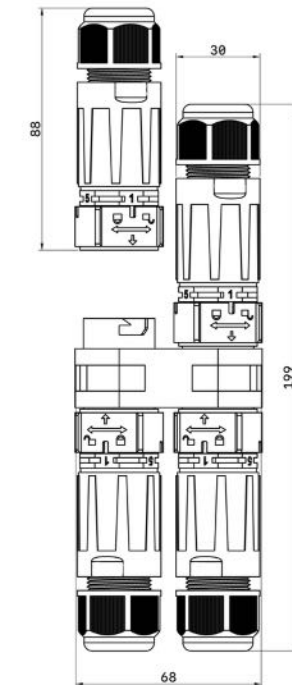
Self-Locking  
Simple

Pre-Install  
Distributor

Just Plug to Delivery

Not only save time but also the money!

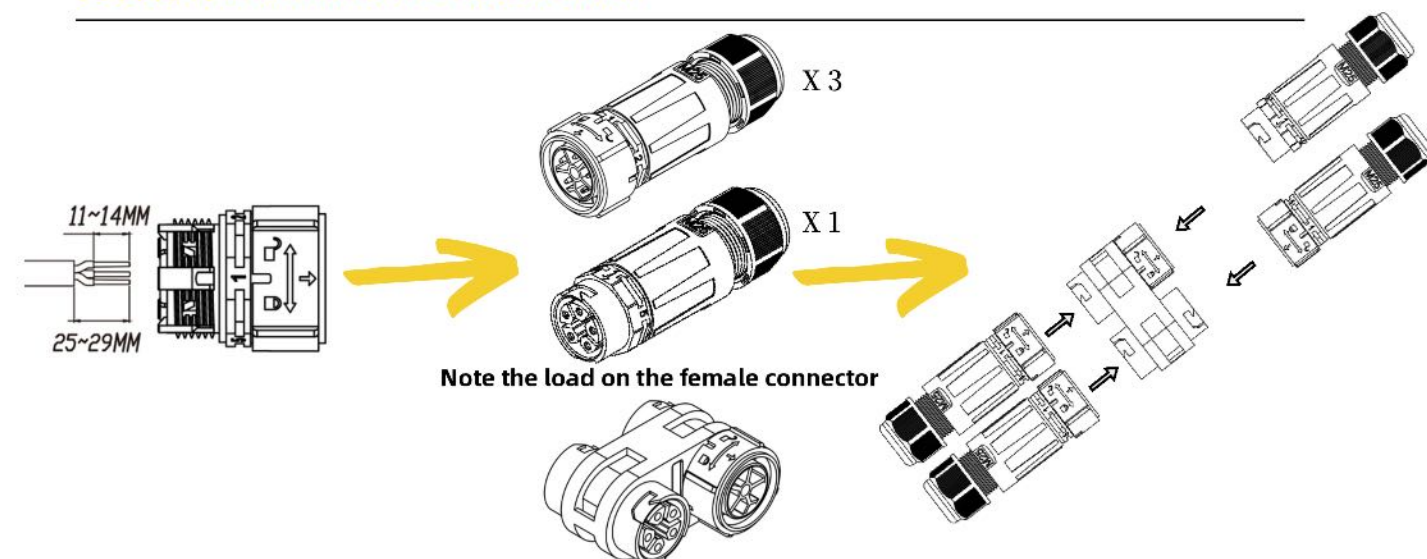
Optimize Project Budget



## 产品参数 Specifications

芯数 Number of Poles	4/5pin
额定电压 Rated Voltage	450V
额定电流 Rated Current	24A
接线范围 Wire Section	0.5-2.5mm <sup>2</sup>
外线直径 Outer Cable Diameter	5-9mm,9-12mm,10-14mm
可插拔次数 Mating Cycle	1500 Mating Cycles
环境温度 Temperature Range	-40°C~105°C
防水等级 IP Code	IP68
外壳材质 Housing Materials	尼龙 Nylon PA66/PA6
端子材质 Terminal Materials	铜合金 Copper Alloy

## 安装说明 Installation Instruction



Outdoor Wiring



Lighting Systems



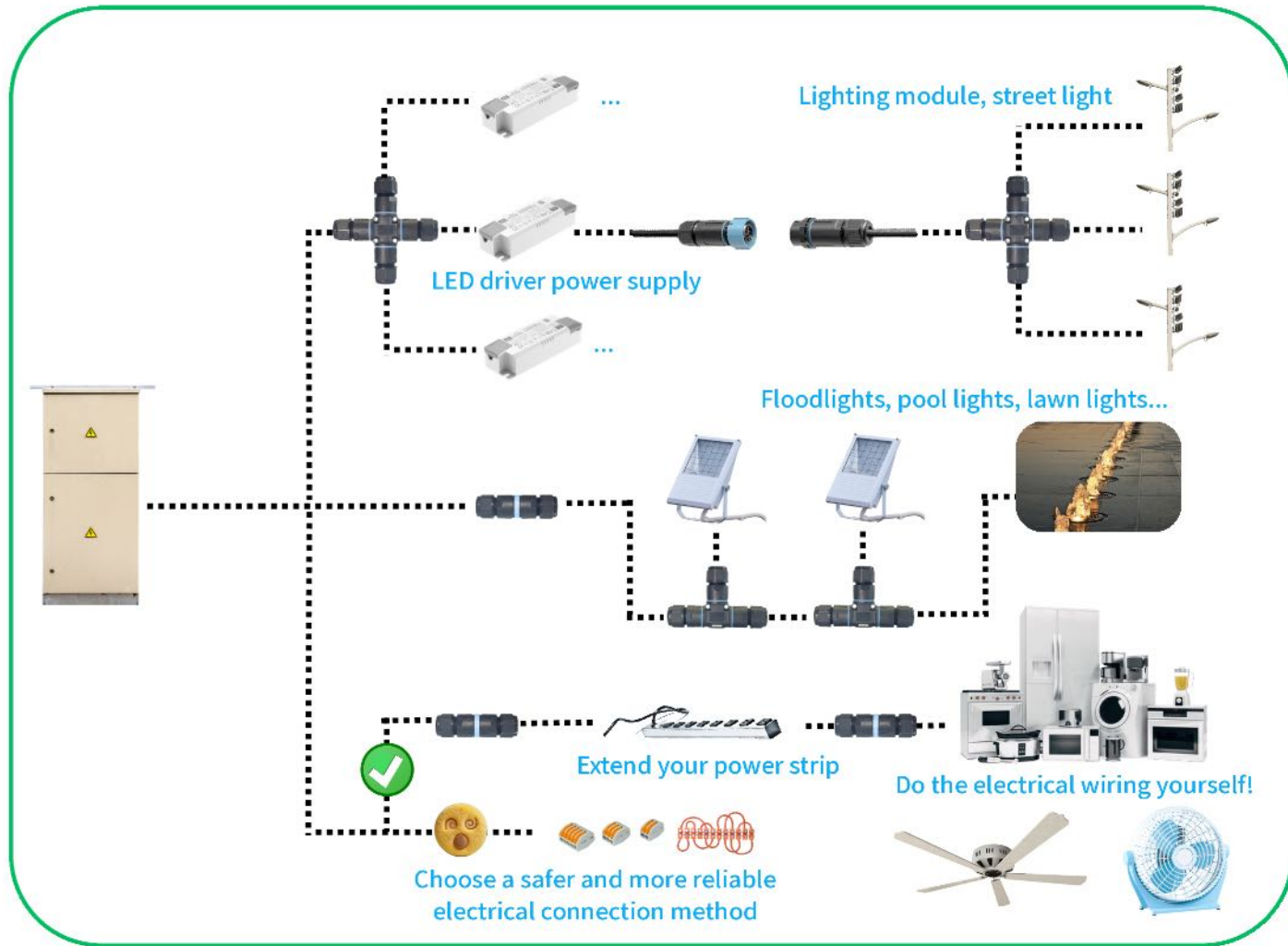
Solar Systems



Green House



Infrastructure construction



**TRANSFER TO MOST EASY WAY**

**THE MOST COMPACT  
UNIBODY 5PIN T CONNECTOR**





The **heart** of every smart connection

用心守护  
每一次的安全连接



**Safeguarding the Safety of electrical Connections**

We have the **solutions**



我们致力于行业的进步，始终把客户的需求放在最重要的位置。因此，我们非常欢迎客户的定制化需要，详情可以来函咨询。

We are committed to the progress of the industry and always prioritize customer needs. Therefore, we greatly welcome customers' customized needs, and you can contact us for more details.

申明：  
仅展示了公司部分产品，详情欢迎来函咨询。  
部分产品因拍摄环境不同会产生色差，请以实物为准。

Declaration:  
Only some of the company's products have been displayed, please feel free to contact us for further information.  
Some products may have color differences due to different shooting environments, please refer to the actual product.



